

### BUILT-IN CHARGING AND AUDIO STATION

Charge your tablet or smartphone inside the sauna and connect your favorite audio device with Bluetooth or the included MP3 jack.

### BUILT-IN ERGONOMIC BACKREST

Relax close to the soothing infrared heat against the Chiropractor designed built-in ergonomic backrest.

### COMBINATION DOOR HANDLE/TABLET CRADLE FOR EASY MEDIA VIEWING

Place your tablet on the door handle for easy viewing of your favorite shows or movies.

### TRUE WAVE™ FULL SPECTRUM HEATERS

Our full spectrum infrared heaters deliver over 20 times the power of the nearest leading competitor. Our patented heating system allows for the deepest penetration with peak performance for the best results.

### BUILT FOR THE OUTDOORS

Gray Cedartec® exterior finish for durable outdoor use and Mahogany interior for that true sauna feel.

### THERAPEUTIC FAR INFRARED HEATERS

Our exclusive TrueWave™ combination carbon/ceramic low EMF / low ELF heaters surround you in healing infrared heat.

### DOCTOR DESIGNED RECLINER BENCH

Relax in comfort in your sauna with our exclusive recliner or flat bench.



### NO VOC VINYL FLOORING

Includes an easy to clean vinyl flooring with heating panel underneath.

### ENHANCED AUDIO SOUND SYSTEM



Bluetooth and AUX inputs makes it easy to connect and listen to your audio devices.

### DIGITAL KEYPAD CONTROLS



Never Fail™ digital keypad controls temperature, time, lights and reservation mode.

### COLOR LIGHT THERAPY



Your Outdoor sauna comes standard with our therapeutic Chromotherapy. Choose from one of twelve colors or auto-cycle through all color tones.

### TABLET / SMARTPHONE CONTROL (optional)



Log in from your tablet or smartphone and remotely operate your sauna.

## SPECIFICATIONS

#### Construction

Gray Cedartec® Eco-Certified Exterior  
Mahogany Interior  
Tongue & Groove Construction  
Weight: 1050 lbs  
Rated: IPX 4

#### Exterior

Width: 82.25" \*  
Depth: 51.5" \*  
Height: 80"  
\* Roof Cap 99.25 x 68.33"

#### Interior

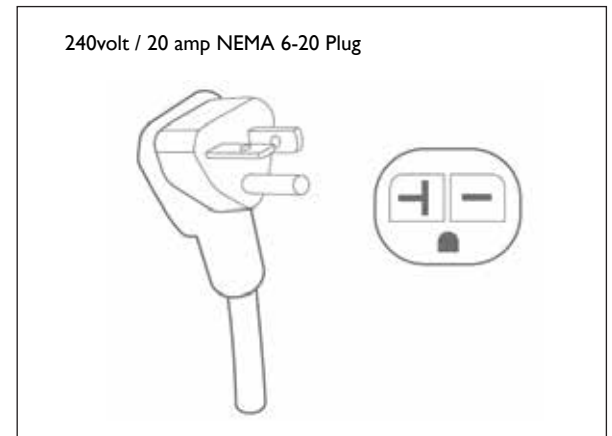
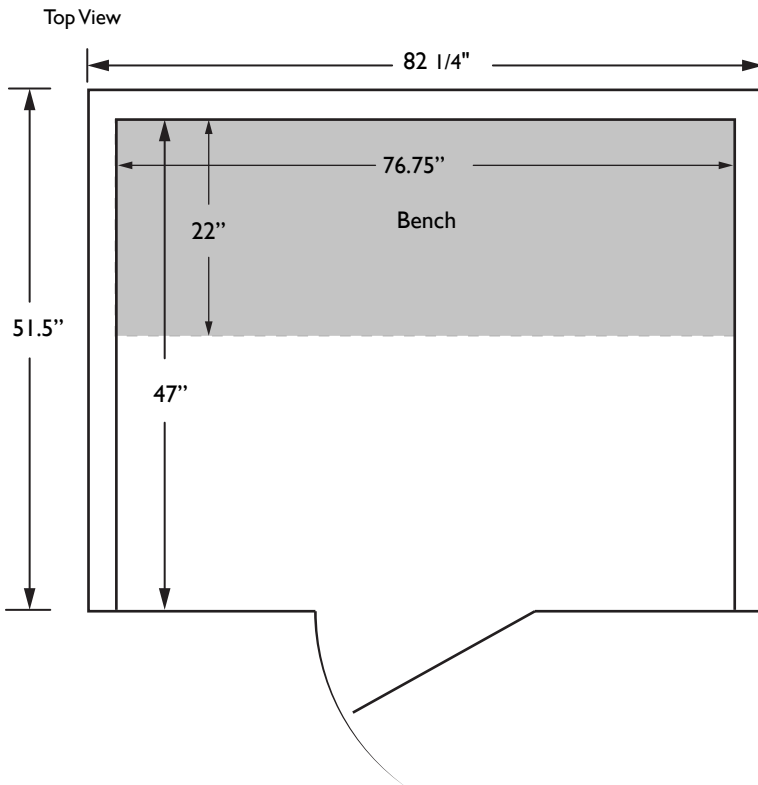
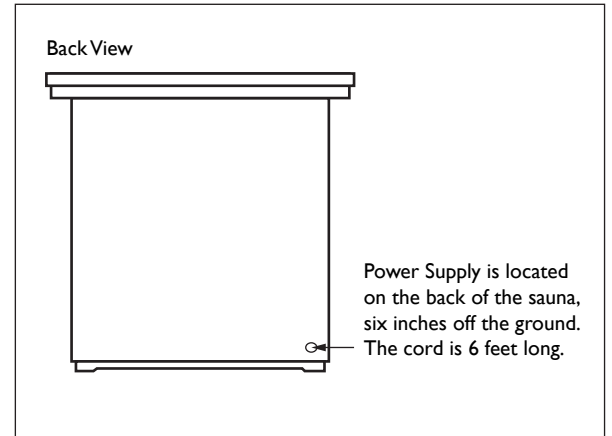
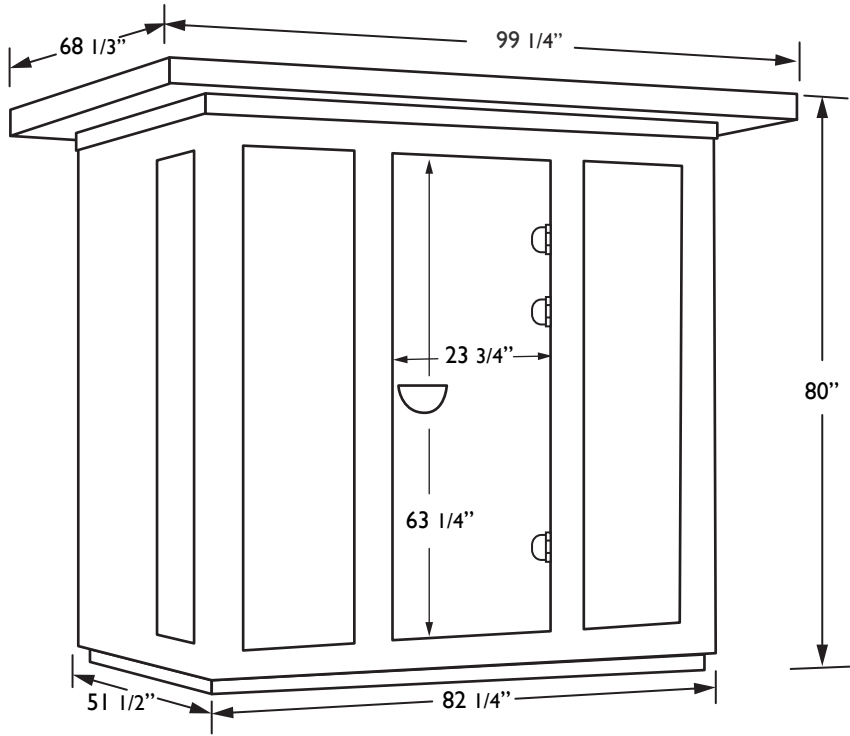
Width: 76.75"  
Depth: 47"  
Height: 71.5"  
Benches: 77.25" x 21.25"  
recline/flat bench

#### Heaters

True Wave™ Far Infrared and Full Spectrum Infrared Heaters  
Power: 240V / 3800W / 16A

#### Limited Lifetime

**Residential Warranty**  
Heaters: Lifetime  
Electrical Controls: Lifetime  
Cabinetry & Glass: 5 Years



## SPECIFICATIONS

### Construction

Gray Cedartec® Eco-Certified Exterior  
Mahogany Interior  
Tongue & Groove Construction  
Weight: 1050 lbs  
Rated: IPX 4

### Exterior

Width: 82.25" \*  
Depth: 51.5" \*  
Height: 80"  
\* Roof Cap 99.25 x 68.33"

### Interior

Width: 76.75"  
Depth: 47"  
Height: 71.5"  
Benches: 77.25" x 21.25"  
recline/flat bench

### Heaters

True Wave™ Far Infrared and Full  
Spectrum Infrared Heaters  
Power: 240V / 3800W / 16A

### Limited Lifetime

**Residential Warranty**  
Heaters: Lifetime  
Electrical Controls: Lifetime  
Cabinetry & Glass: 5 Years